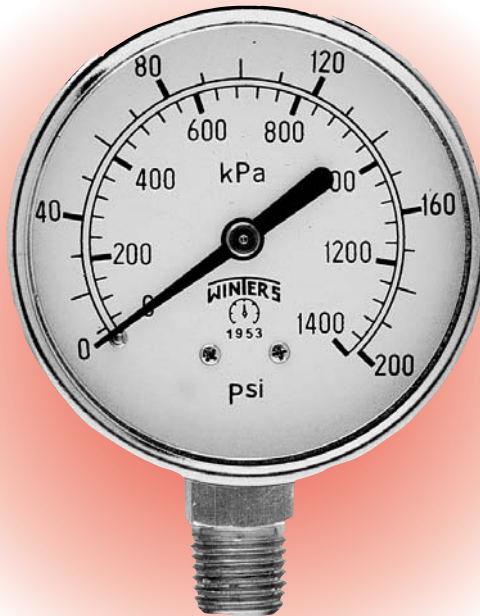


Economy

CRN



Description

The Winters Economy Gauge is designed for applications where cost savings are paramount. Many configurations are available to service any application that is not corrosive to brass, from pool filters to medical equipment.

These CRN registered pressure gauges are available in various sizes from 1 1/2" (40mm) to 4" (100mm).

Vacuum and compound ranges, plastic cases, glass lenses, stainless steel cases, chromed rings and sockets, u-clamps and restrictor screws are some of the options available.

Specifications

Dial:	White aluminum with black and red markings
Case:	Steel painted black (plastic avail.)
Lens:	1 1/2" (40mm), 2" (50mm), 2 1/2" (63mm): polycarbonate, 4" (100mm): glass
Ring:	1 1/2" (40mm), 2" (50mm): steel, painted black, 2 1/2" (63mm), and 4" (100mm): steel, chrome plated
Pointer:	Steel, painted black
Socket:	Brass
Connection:	1/8" NPT or 1/4" NPT standard
Bourdon Tube:	Phosphor bronze
Movement:	Brass
Welding:	Silver alloy
Over-pressure Limit:	25% of full scale value
Working Pressure:	Maximum 75% of full scale value
Ambient Temperature:	-40°F to 150°F (-40°C to 65°C)
Process Temperature:	-40°F to 150°F (-40°C to 65°C)
Accuracy:	± 3%-2%-3% accuracy (ANSI/ASME Grade B)
Protection:	IP52



Corporate Office: 121 Railside Road • Toronto • ON • M3A 1B2 • (416) 444-2345 • Fax: (416) 444-8979

U.S.A. Office: 600 Ensminger Road • Buffalo • NY • 14150 • (716) 874-8700 • Fax: (716) 874-8800

www.winters.ca • 1-800-WINTERS (946-8377)

Economy

How to order: Specify product code

PRODUCT CODES

Dial Size	1 1/2"(40mm)	1 1/2"(40mm)	2"(50mm)	2"(50mm)	2"(50mm)	2"(50mm)	2"(50mm)	2 1/2"(63mm)	2 1/2"(63mm)	4"(100mm)
Case Material	Steel	Steel	Steel	Steel	Steel	Steel	Steel	Plastic	Steel	Steel
Connection	Bottom	Centre Back	Centre Back	Centre Back	Bottom	Bottom	Bottom	Psi only Bottom	Centre Back	Bottom
NPT Connection Size	1/8"	1/8"	1/8"	1/4"	1/8"	1/4"	1/4"	1/4"	1/4"	1/4"
Movement, Socket, Tube	Brass	Brass	Brass	Brass	Brass	Brass	Brass	Brass	Brass	Brass
30" Hg. Vac./kPa	E1297	E1397	E1424	E1428	E195	E135	E1398	E1431	E210	E220
30"-0-15 psi/kPa	*	*	*	*	*	*	*	*	E152	*
30"-0-30 psi/kPa	*	*	*	*	*	*	*	*	E153	*
30"-0-60 psi/kPa	*	*	*	*	*	*	*	*	E154	*
30"-0-100 psi/kPa	*	*	*	*	*	*	*	*	E155	*
0-15 psi/kPa	E1299	E1399	E1425	E1429	E196	E136	*	E1436	E211	*
0-30 psi/kPa	E1300	E1400	E1402	E1403	E206	E199	E200	E1437	E212	E221
0-60 psi/kPa	E1301	E1401	E1404	E1405	E207	E201	E194	E1438	E213	E222
0-100 psi/kPa	E1320	E1420	E1406	E1407	E208	E202	*	E1439	E214	E223
0-160 psi/kPa	E1321	E1421	E1408	E1409	E197	E203	*	E1440	E215	E224
0-200 psi/kPa	E1322	E1422	E1426	E1410	E209	E204	*	E1441	E216	E225
0-300 psi/kPa	E1323	E1423	E1427	E1411	E198	E205	*	E1442	E217	E226
0-400 psi/kPa	*	*	*	*	*	*	*	*	E219	*
0-600 psi/kPa	*	*	*	*	*	*	*	*	E218	*
0-1000 psi/kPa	*	*	*	*	*	*	*	*	E290	*
0-2000 psi/kPa	*	*	*	*	*	*	*	*	*	*
0-3000 psi/kPa	*	*	*	*	*	*	*	*	E291	*
0-5000 psi/kPa	*	*	*	*	*	*	*	*	E292	*

Options:

- Stainless steel case available.
- Glass lens is optional (standard on 4" (100mm) dial size)
- 1 1/2" (40mm) & 2" (50mm) bottom connection gauges available with stainless steel internals.
- Other ranges, connections and connection sizes available.
- Lead free construction available.



Corporate Office: 121 Railside Road • Toronto • ON • M3A 1B2 • (416) 444-2345 • Fax: (416) 444-8979

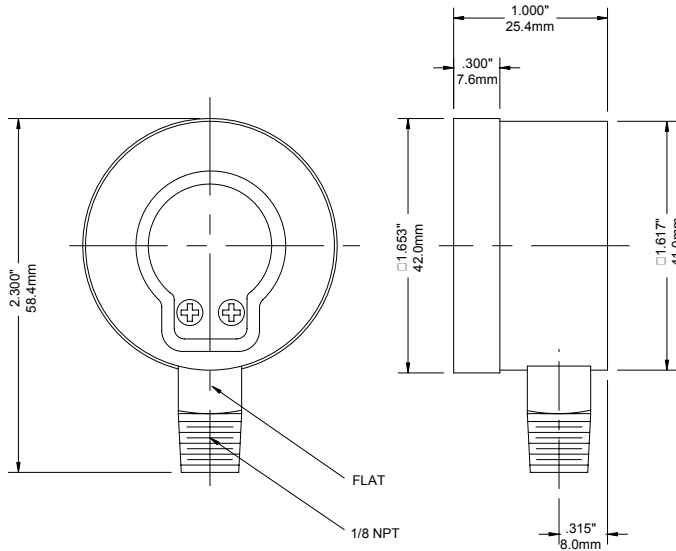
U.S.A. Office: 600 Ensminger Road • Buffalo • NY • 14150 • (716) 874-8700 • Fax: (716) 874-8800

www.winters.ca • 1-800-WINTERS (946-8377)

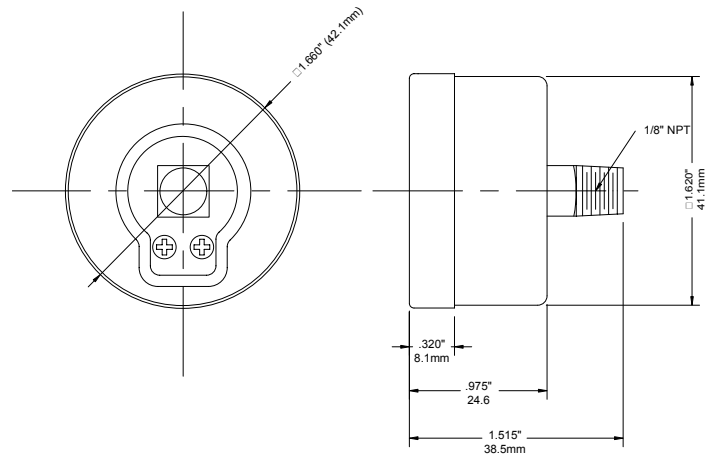
06/02

Economy

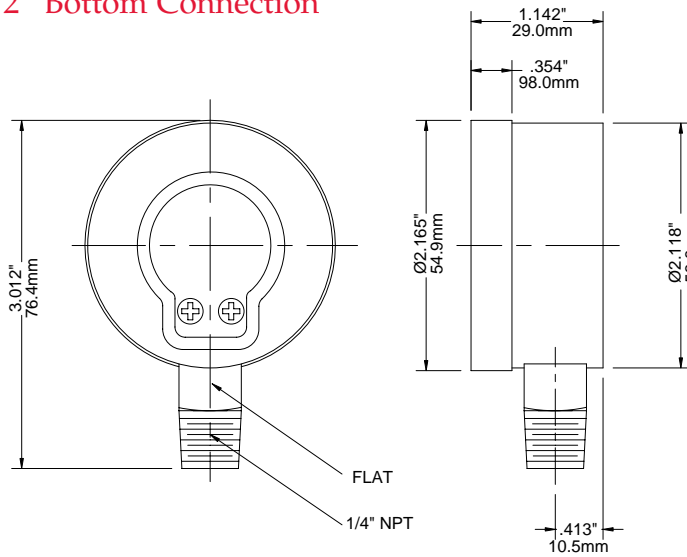
1.5" Bottom Connection



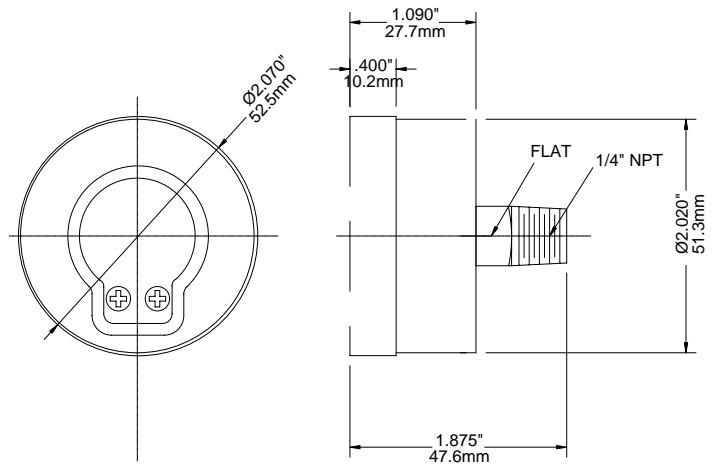
1.5" Back Connection



2" Bottom Connection



2" Back Connection



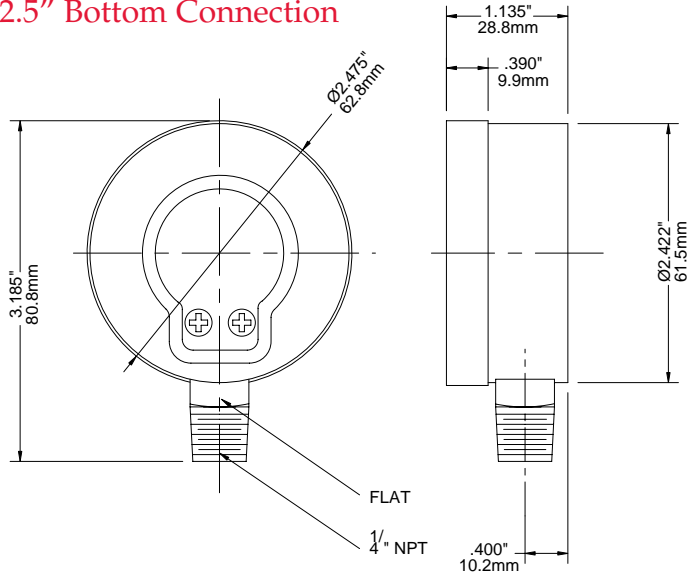
Corporate Office: 121 Railside Road • Toronto, ON, M3A 1B2 • 416-444-2345 • Fax: 416 444 8979

U.S.A. Office: 600 Ensminger Road • Buffalo, NY, 14150 • 716 874 8700 • Fax: 716-874-8800

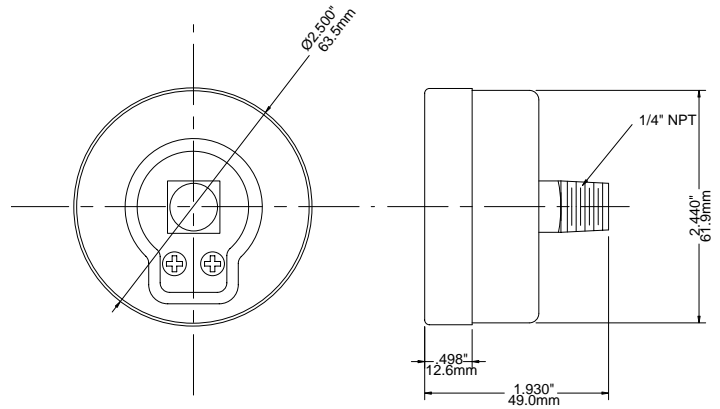
www.winters.ca • 1-800-WINTERS (946-8377)

Economy

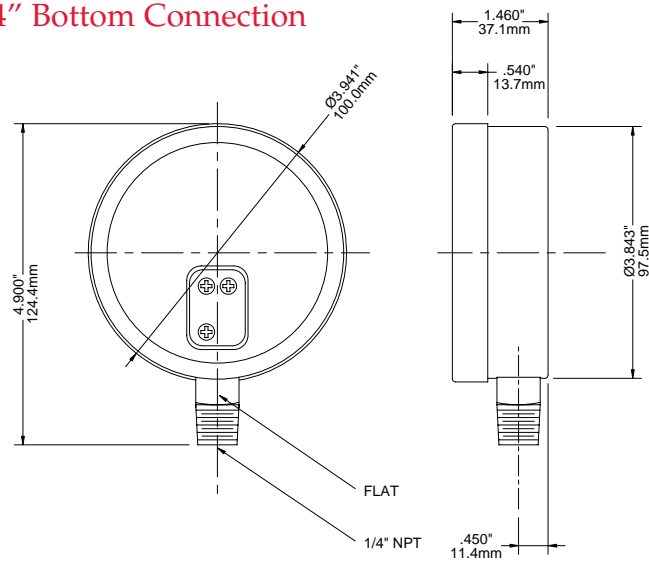
2.5" Bottom Connection



2.5" Back Connection



4" Bottom Connection



Corporate Office: 121 Railside Road • Toronto • ON • M3A 1B2 • (416) 444-2345 • Fax: (416) 444-8979

U.S.A. Office: 600 Ensminger Road • Buffalo • NY • 14150 • (716) 874-8700 • Fax: (716) 874-8800

www.winters.ca • 1-800-WINTERS (946-8377)